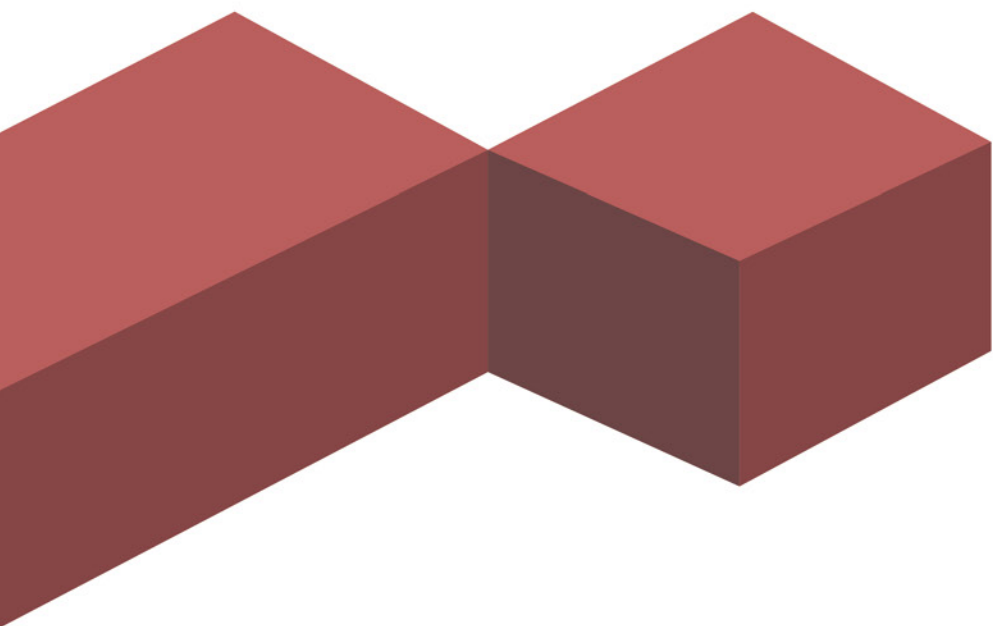


PIZZA OVEN

PRODUCT CATALOG





ABOUT LONG KETER

Based in Zibo, China P.R., which is located in the center of Shandong Province, famous for its heavy industry, particularly in CERAMIC & REFRACTORIES manufacturing. Keeping the concept "Make Energy Efficiency Simpler" in mind, striving to be the most reliable supplier in REFRACTORY and INSULATION material industry worldwide, years of non-stop innovation

and team-working transformed us to be now a leading supplier of refractory and insulating materials in this field.

LONG KETER committed to developing and manufacturing high quality products for its customer. Customers accept our products at first, then gradually getting fond of them, and finally they find that they have already relied on

them. Up to now, we have established cooperative relationships with many Giant Companies in refractory field.

We are continue to serve all of our customers with best products and services. We are always on the road and never stop!

PIZZA OVEN



LONG KETER is a professional refractory pizza oven manufacturer that located in Zibo city, Shandong Province. Which is a central of refractory industry of China. Established from 2008, till now we got plenty of proceed technology experiences and have cooperation with many big companies.

An authentic Wood Fired Oven makes the perfect centrepiece for any entertaining area. There's nothing like the crackle of real timber burning, the smell of wood smoke and the cheery, twinkling light of a fire to bring people together. Then there's the food; from hand stretched pizzas cooked in 90 seconds to shoulders of meat left to slow-roast for 8 hours, and everything in between.

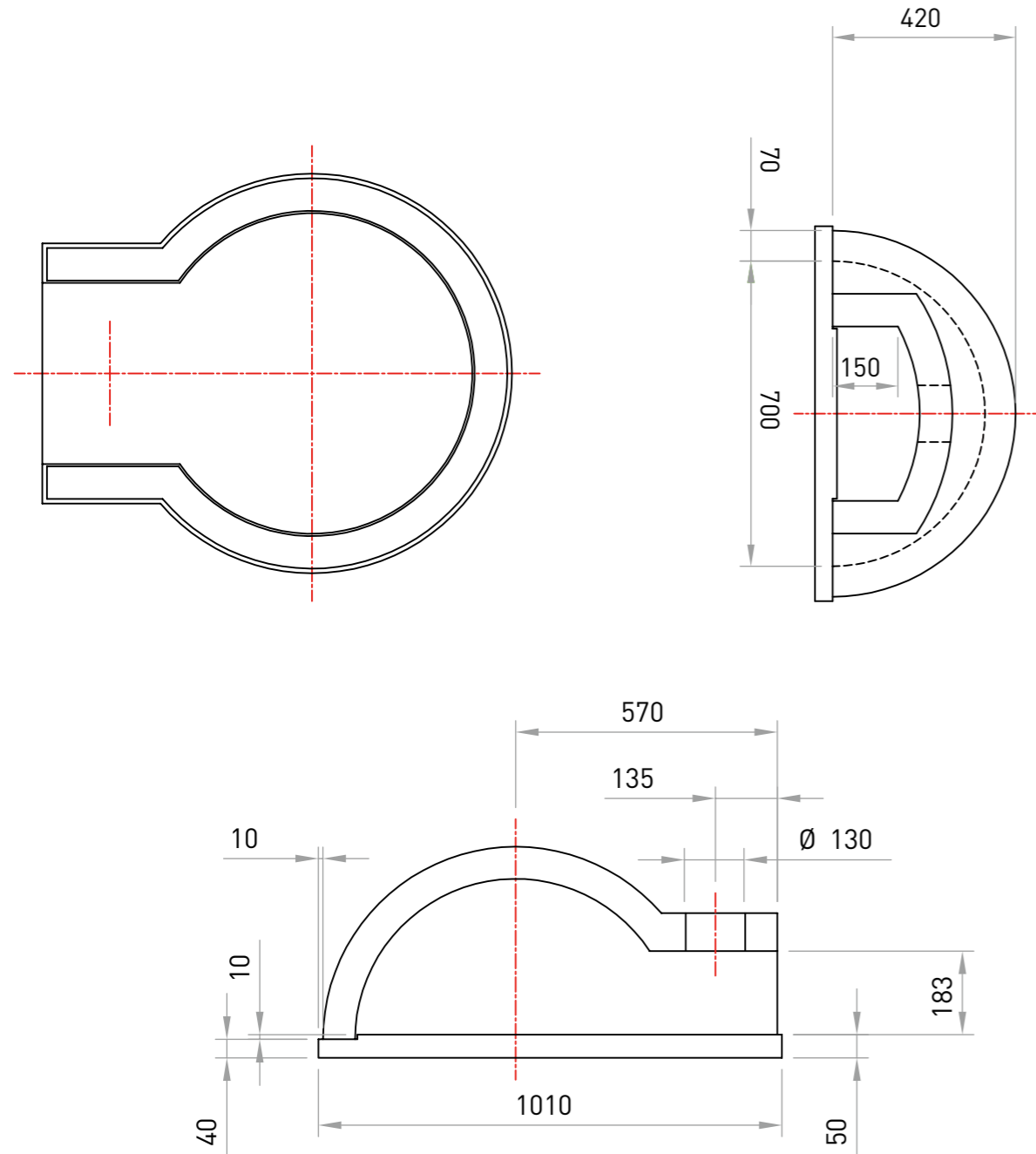
It's little wonder Wood Fired Ovens are so popular. Now, we've made them simple.

If you're looking for a Wood Fired Oven that's easy to assemble, fits into a small space and heats up quickly then our Pre-Cast Oven Kit is what you've been searching for. The internal dome is made up of stainless steel fibre-reinforced refractory sections, cast in CNC machined molds by our dedicated team. At every point we have looked for ways to minimise your effort taken to build this kit, without impacting on quality. We're very proud of the result.

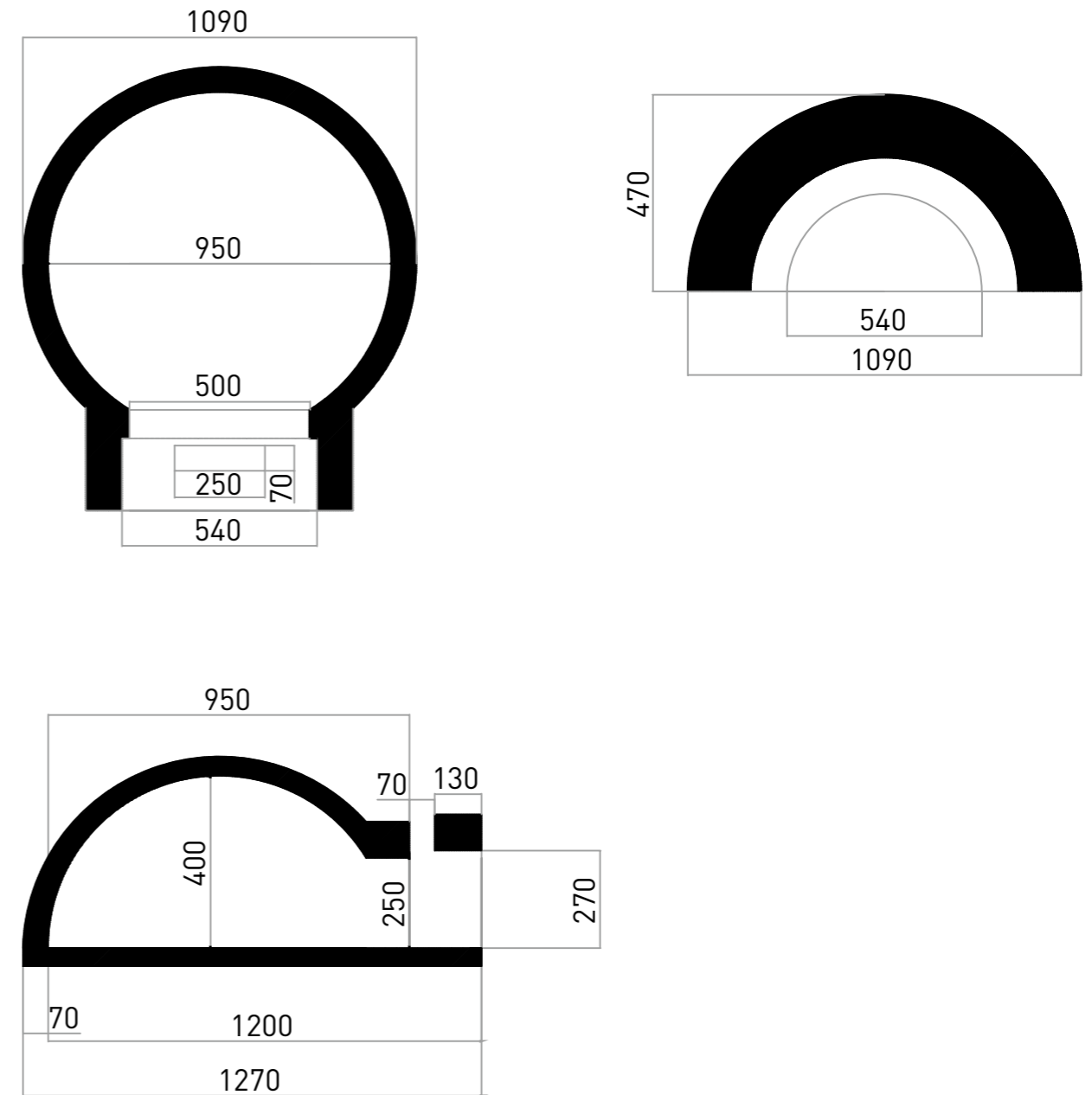


■ WE HAVE 4 STANDARD USUAL SIZE AS BELOW:

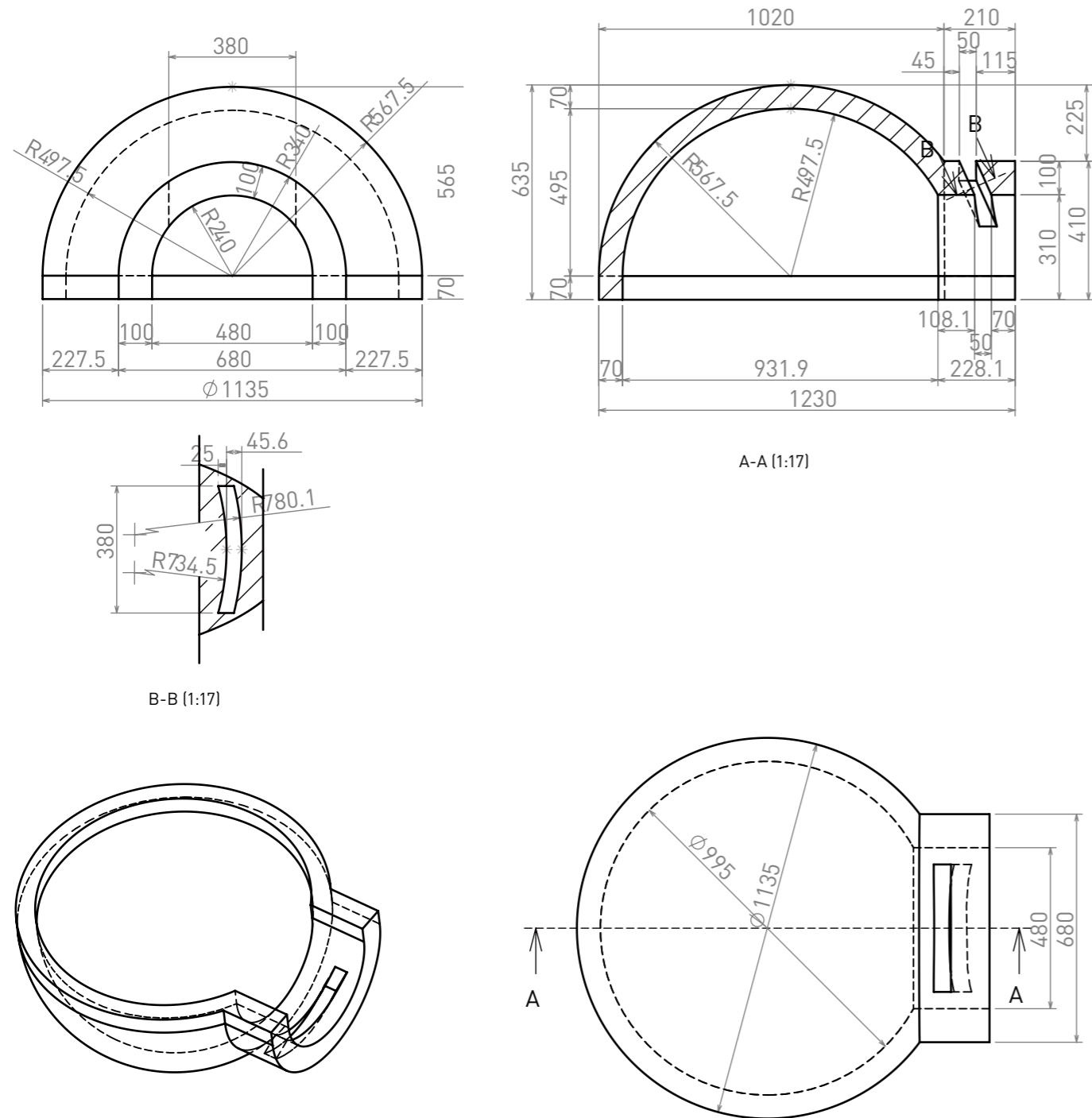
A



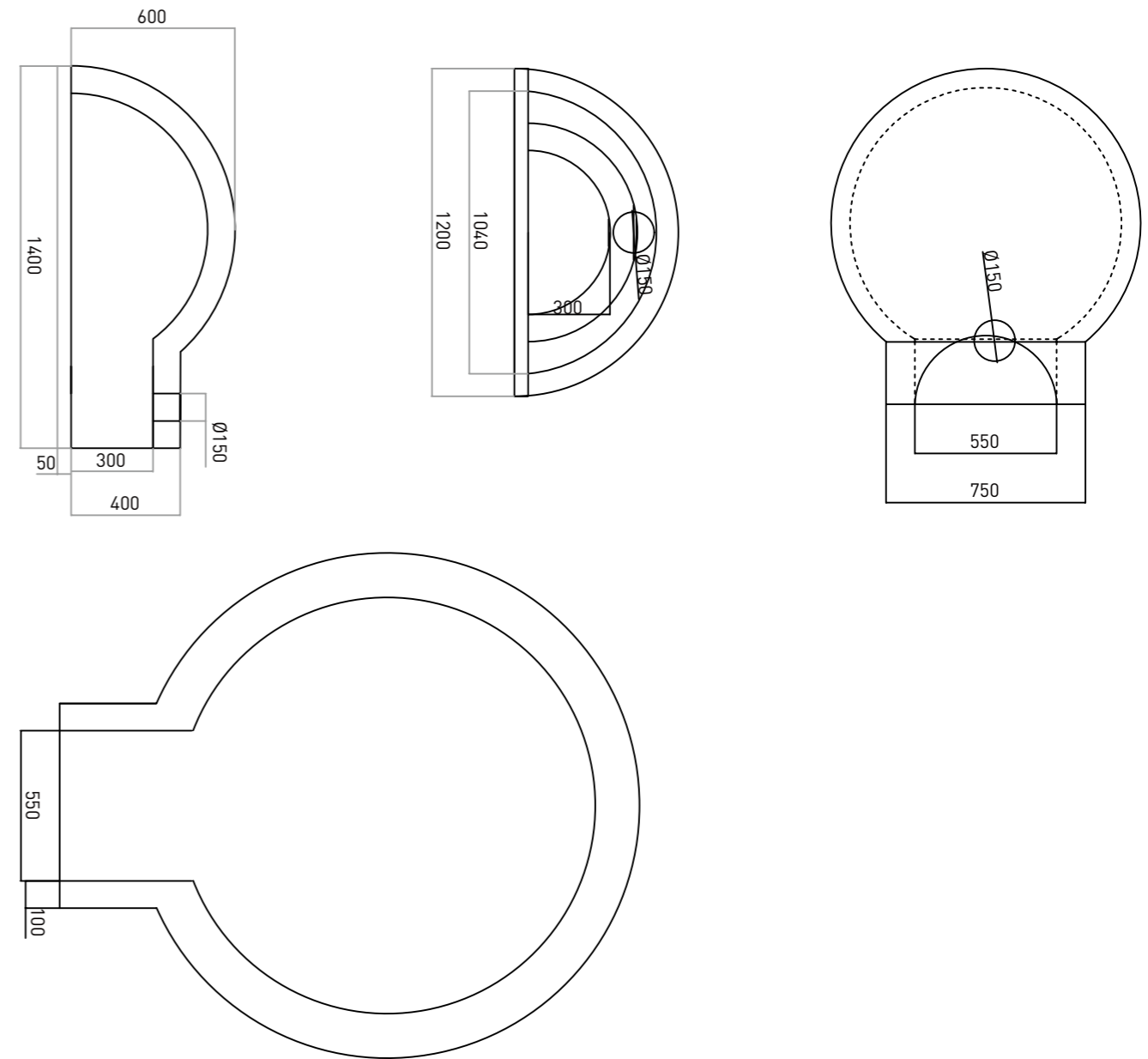
B



C



D



We also glad to accept customer's requests, follow your drawings and details to produce...
Hope we could build a multiply beneficial trading business relationship between us!!!



MOBILE: 0086-18678181477

TEL: 0086-533-2210989

FAX: 0086-533-2219955

E-Mail: mikezhangyin@longketer.com mikezhangyin@gmail.com

ZIBO LONG KETER NEW MATERIALS CO.,LTD

ADDRESS: 805, BLOCK B, RUNDE PLAZA, BEIJING RD., ZHANGDIAN,
ZIBO, SHANDONG, CHINA 255000

www.longketer.com